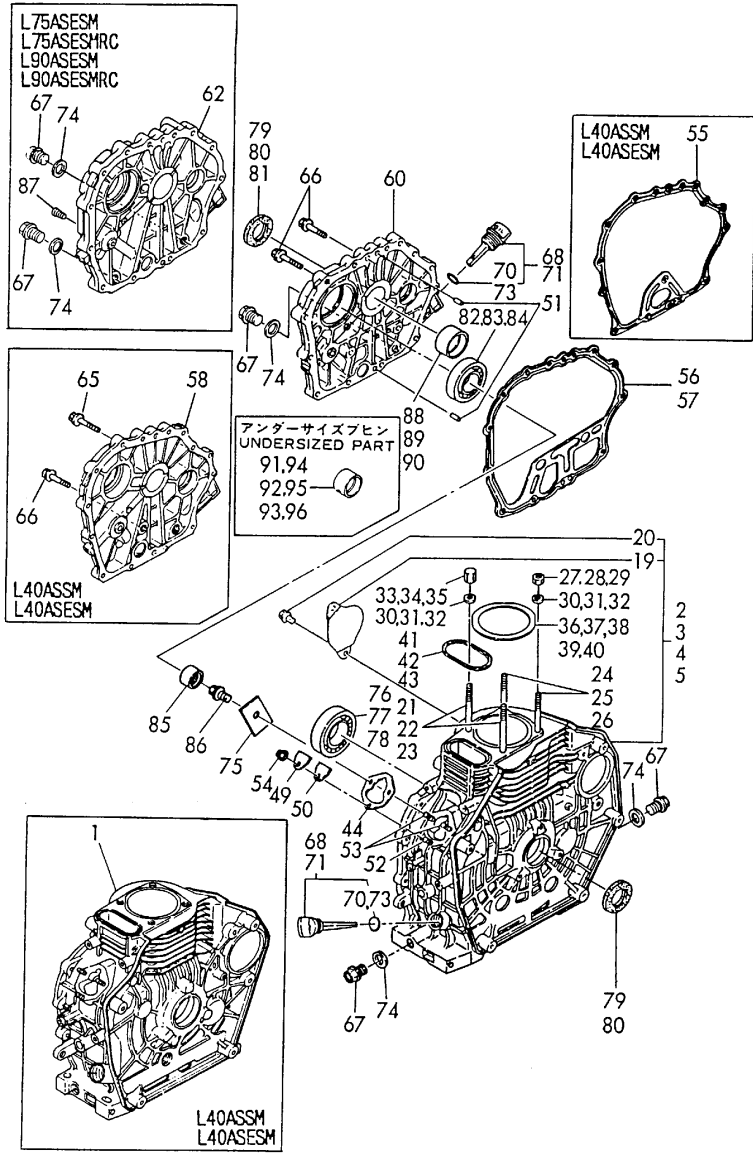


Fig.1.CYLINDER BLOCK

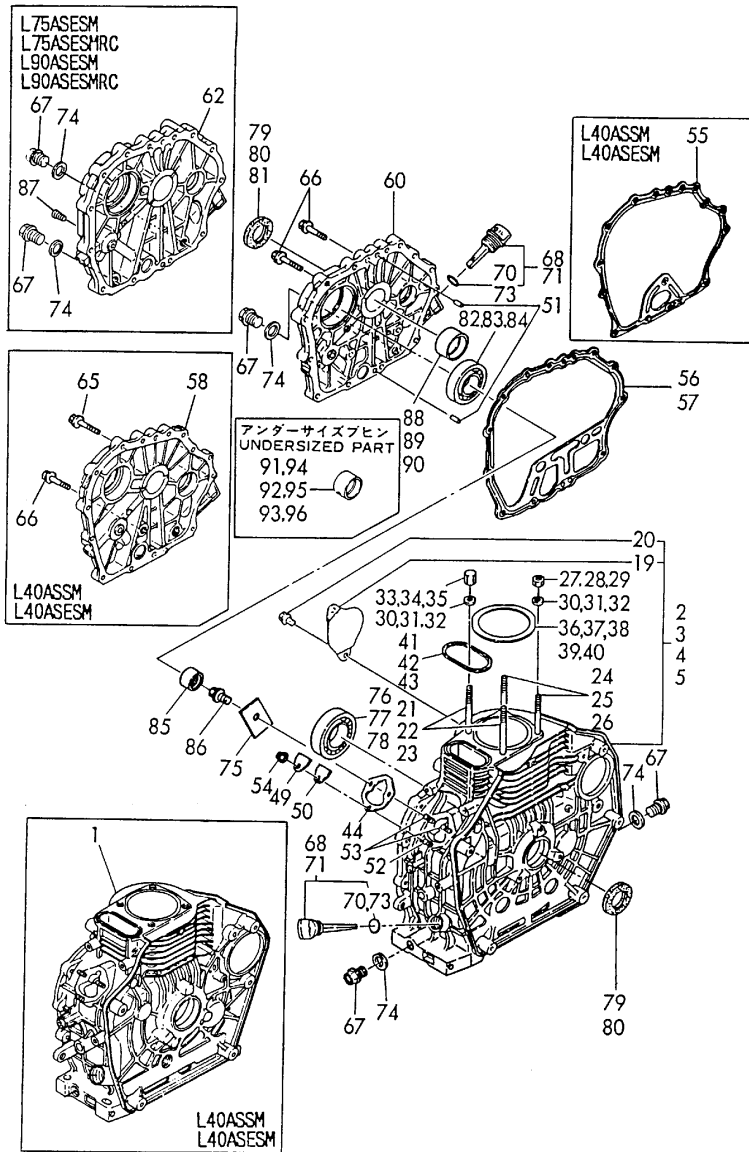


Remarks  
 (1) ONLY FOR REPAIR.  
 (2) UNDERSIZED(U.S=0.25) PART.  
 (3) UNDERSIZED(U.S=0.50) PART.

(A)=L40AS  
 (B)=L50AS  
 (C)=L60AS  
 (D)=L75AS  
 (E)=L90AS  
 (F)=

REF.	LEV.	PARTS NO.	DESCRIPTION	QTY						I	R
				(A)	(B)	(C)	(D)	(E)	(F)		
1	1	714271-01560	BLOCK ASSY, CYLINDER	1							
2	1	714471-01560	BLOCK ASSY, CYLINDER		1						
3	1	714371-01560	BLOCK ASSY, CYLINDER			1					
4	1	714571-01560	BLOCK ASSY, CYLINDER				1				
5	1	714671-01560	BLOCK ASSY, CYLINDER					1			
19	2	114350-01700	COVER, STARTER	1	1	1	1	1			
20	2	26106-100122	BOLT M10X 12 PLATED	2	2	2	2	2			
21	1	114250-01200	STUD, CYL. HEAD	2							
22	1	114350-01200	STUD, CYL. HEAD		2	2					
23	1	114650-01230	STUD, CYL. HEAD				2	2			
24	1	114250-01210	STUD, CYL. HEAD	2							
25	1	114350-01210	STUD, CYL. HEAD		2	2					
26	1	114650-01240	STUD, CYL. HEAD				2	2			
27	1	105025-01220	NUT 10				2	2			
28	1	114250-01220	NUT 8	2							
29	1	114350-01220	NUT 9		2	2					
30	1	105225-01240	WASHER		4	4					
31	1	124950-01250	WASHER	4							
32	1	114650-01260	WASHER				4	4			
33	1	114250-01250	NUT 8	2							
34	1	114350-01250	NUT 9		2	2					
35	1	114650-01250	NUT 10				2	2			
36	1	114250-01340	GASKET, CYL. HEAD	1							
37	1	114350-01340	GASKET, CYL. HEAD			1					
38	1	114650-01340	GASKET, CYL. HEAD					1			
39	1	114450-01340	GASKET, CYL. HEAD		1						
40	1	114550-01340	GASKET, CYL. HEAD				1				
41	1	114250-01380	O-RING	1							
42	1	114350-01380	O-RING		1	1					
43	1	114650-01380	O-RING				1	1			
44	1	114250-01800	SHIM SET	1	1	1	1	1			
49	1	114250-01830	COVER, INSPEC.WINDOW	1	1	1	1	1			
50	1	114250-01840	GASKET	1	1	1	1	1			
51	1	22312-080120	PARALLEL PIN 8X12	2	2	2	2	2			
52	1	26226-060182	STUD M 6X 18 PLATED	1	1	1	1	1			
53	1	26226-060222	STUD M 6X 22 PLATED	2	2	2	2	2			
54	1	26366-060002	NUT M 6	3	3	3	3	3			
55	1	114250-01412	GASKET, CRANK CASE	1							
56	1	114350-01412	GASKET, CRANK CASE		1	1					
57	1	114650-01411	GASKET, CRANK CASE				1	1			
58	1	114250-01452	COVER (S),CRANK CASE	1							
60	1	114350-01452	COVER (S),CRANK CASE		1	1					
62	1	114650-01452	COVER (S),CRANK CASE				1	1			
65	1	26106-060252	BOLT M 6X 25 PLATED	14							
66	1	26106-080352	BOLT M 8X 35 PLATED	1	15	15	16	16			
67	1	105425-01690	PLUG M16	3	3	3	4	4			
68	1	160910-01740	CAP, WLLUB.OIL GAUGE		2	2	2	2			
70	2	24311-000180	O-RING 1A P-18.0		2	2	2	2			
71	1	160710-01760	CAP, WLLUB.OIL GAUGE	2							
73	2	24311-000180	O-RING 1A P-18.0	2							
74	1	43400-500490	SEAL WASHER 16	3	3	3	4	4			

Fig.1.CYLINDER BLOCK



Remarks  
 (1) ONLY FOR REPAIR.  
 (2) UNDERSIZED(U.S=0.25) PART.  
 (3) UNDERSIZED(U.S=0.50) PART.

(A)=L40AS  
 (B)=L50AS  
 (C)=L60AS

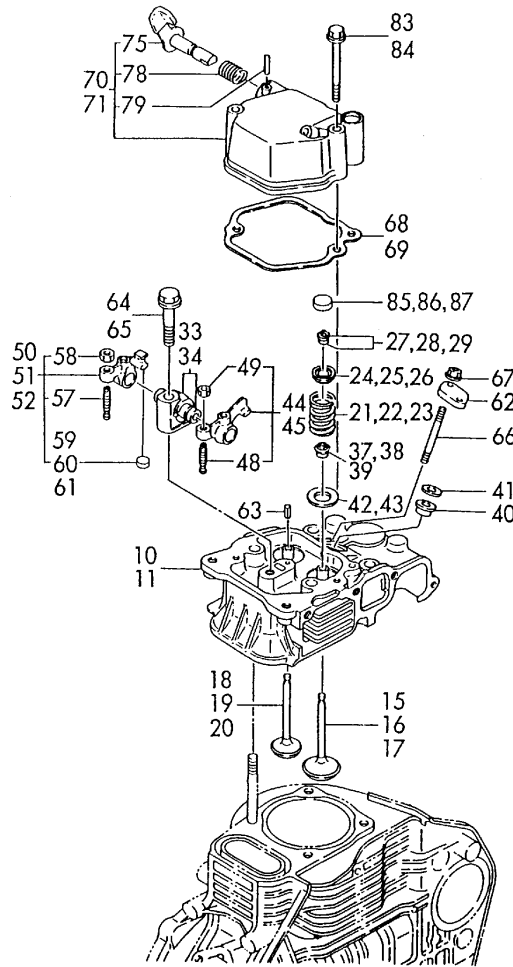
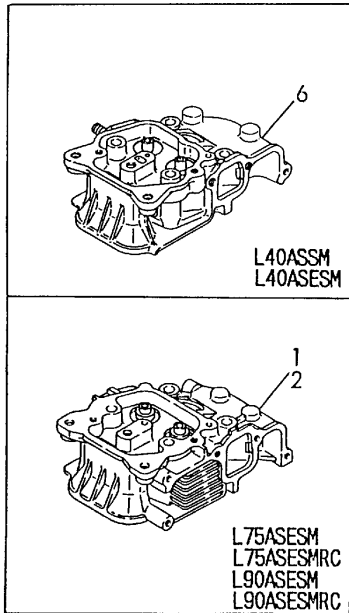
(D)=L75AS  
 (E)=L90AS  
 (F)=

REF.	LEV.	PARTS NO.	DESCRIPTION	QTY						I	R
				(A)	(B)	(C)	(D)	(E)	(F)		
75	1	114250-02030	RETAINER, BEARING	1	1	1	1	1			
76	1	114250-02113	BALL BEARING	1							
77	1	114350-02113	BALL BEARING		1	1					
78	1	114650-02150	BALL BEARING					1	1		
79	1	160110-02220	SEAL, OIL	1	2	2					
80	1	24423-355008	SEAL, OIL				2	2			
81	1	160210-02220	SEAL, OIL	1							
82	1	24101-062050	BALL BEARING	1							
83	1	24101-062060	BALL BEARING		1	1					
84	1	24101-062070	BALL BEARING					1	1		
85	1	24162-152112	NEEDLE BEARING	1	1	1	1	1	1		
86	1	26106-080122	BOLT M8X 12 PLATED	1	1	1	1	1	1		
87	1	23871-010000	PLUG PT1&8,SCREW					1	1		
88	1	114250-02100	BEARING, MAIN	1						1	
89	1	114350-02100	BEARING, MAIN		1	1				1	
90	1	114650-02100	BEARING, MAIN				1	1		1	
91	1	114250-02200	BEARING US=0.25,MAIN	1						2	
92	1	114350-02200	MAIN BEARING US=0.25		1	1				2	
93	1	114650-02200	MAIN BEARING US=0.25				1	1		2	
94	1	114250-02210	BEARING US=0.50,MAIN	1						3	
95	1	114350-02210	MAIN BEARING US=0.50		1	1				3	
96	1	114650-02210	MAIN BEARING US=0.50				1	1		3	

Fig.2.CYLINDER HEAD & BONNET

(A)=L40AS  
(B)=L50AS  
(C)=L60AS

(D)=L75AS  
(E)=L90AS  
(F)=



REF.	LEV.	PARTS NO.	DESCRIPTION	Q'TY						I	R	
				(A)	(B)	(C)	(D)	(E)	(F)			
1	1	114650-11010	HEAD ASSY, CYLINDER								1	
2	1	114550-11010	HEAD ASSY, CYLINDER								1	
6	1	114250-11020	HEAD ASSY, CYLINDER	1								
10	1	114870-11020	HEAD,CYLINDER ASSY				1					
11	1	114450-11021	HEAD ASSY, CYLINDER		1							
15	1	114250-11101	VALVE, SUCTION	1								
16	1	114350-11101	VALVE, SUCTION		1	1						
17	1	114650-11100	VALVE, SUCTION					1	1			
18	1	114250-11113	VALVE, EXHAUST	1								
19	1	114350-11113	VALVE, EXHAUST		1	1						
20	1	114654-11110	VALVE, EXHAUST					1	1			
21	1	114250-11120	SPRING, VALVE	2								
22	1	114350-11120	SPRING, VALVE		2	2						
23	1	114650-11121	SPRING, VALVE					2	2			
24	1	101158-11180	RETAINER, SPRING		2	2						
25	1	114250-11180	RETAINER, SPRING	2								
26	1	119620-11180	RETAINER, SPRING					2	2			
27	1	27310-070001	COTTER 7					2	2			
28	1	27310-060001	COTTER 6		2	2						
29	1	714250-11570	COTTER	2								
33	1	114650-11261	SUPPORT, ROCKER ARM					1	1			
34	1	114250-11290	SUPPORT, ROCKER ARM	1	1	1						
37	1	114250-11340	SEAL, VALVE STEM	2								
38	1	114350-11340	SEAL, VALVE STEM		2	2						
39	1	114650-11340	SEAL, VALVE STEM					2	2			
40	1	114250-11460	GASKET, NOZZLE	1	1	1	1	1	1			
41	1	114350-11470	SPACER	1	1	1	1	1	1			
42	1	114250-11600	WASHER	2	2	2						
43	1	114650-11600	WASHER					2	2			
44	1	114250-11651	ARM ASSY, INTAKE	1	1	1						
45	1	114650-11652	ARM ASSY, INTAKE					1	1			
48	2	114250-11240	SCREW, VALVE ADJUST.	1	1	1	1	1	1			
49	2	26756-060002	LOCK NUT M6 PLATED	1	1	1	1	1	1			
50	1	714270-11660	ARM ASSY, EXHAUST	1								
51	1	714370-11660	ARM ASSY, EXHAUST		1	1						
52	1	714670-11660	ARM ASSY, EXHAUST					1	1			
57	3	114250-11240	SCREW, VALVE ADJUST.	1	1	1	1	1	1			
58	3	26756-060002	LOCK NUT M6 PLATED	1	1	1	1	1	1			
59	2	119260-11370	CAP, VALVE	1								
60	2	105010-11490	CAP, VALVE		1	1						
61	2	104211-11370	CAP, VALVE					1	1			
62	1	114250-11900	RETAINER, NOZZLE	1	1	1	1	1	1			
63	1	22351-040008	SPRING PIN 4X 8	1	1	1	1	1	1			
64	1	26106-080452	BOLT M 8X 45 PLATED	1	1	1						
65	1	26106-100552	BOLT M10X 55 PLATED					1	1			
66	1	26226-060652	STUD M6X65	2	2	2	2	2	2			
67	1	26366-060002	NUT M 6	2	2	2	2	2	2			
68	1	114250-11310	GASKET, BONNET	1	1	1						
69	1	114650-11310	GASKET, BONNET					1	1			
70	1	114250-11951	BONNET ASSY, HEAD	1	1	1						
71	1	114650-11951	BONNET ASSY, HEAD					1	1			

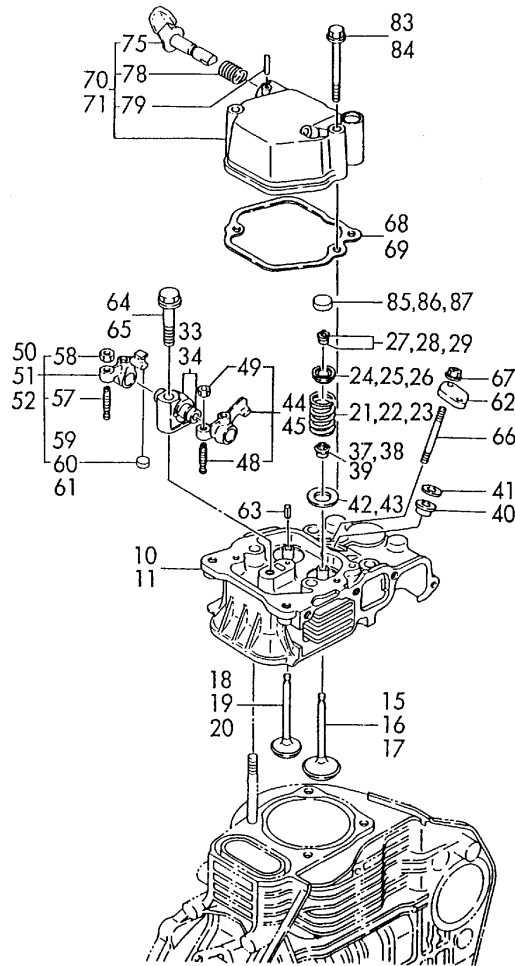
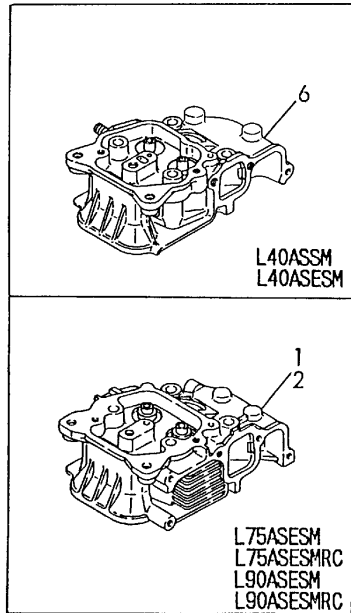
N:Old  $\begin{matrix} \leftarrow \text{Yes} \\ \text{No} \end{matrix}$  New, Q:Old  $\begin{matrix} \leftarrow \text{No} \\ \text{Yes} \end{matrix}$  New, R:Old  $\begin{matrix} \leftarrow \text{Yes} \\ \text{No} \end{matrix}$  New, S:Old  $\begin{matrix} \leftarrow \text{No} \\ \text{Yes} \end{matrix}$  New, W:Add, Z:Discontinued, F:Interchangeable by set, K:Q'ty Change  
++ CONTINUE ++  
(C) Copy Rights YANMAR CO.,LTD.

Fig.2.CYLINDER HEAD & BONNET

OCD10-G41000 2.CYLINDER HEAD & BONNET

(A)=L40AS  
(B)=L50AS  
(C)=L60AS

(D)=L75AS  
(E)=L90AS  
(F)=

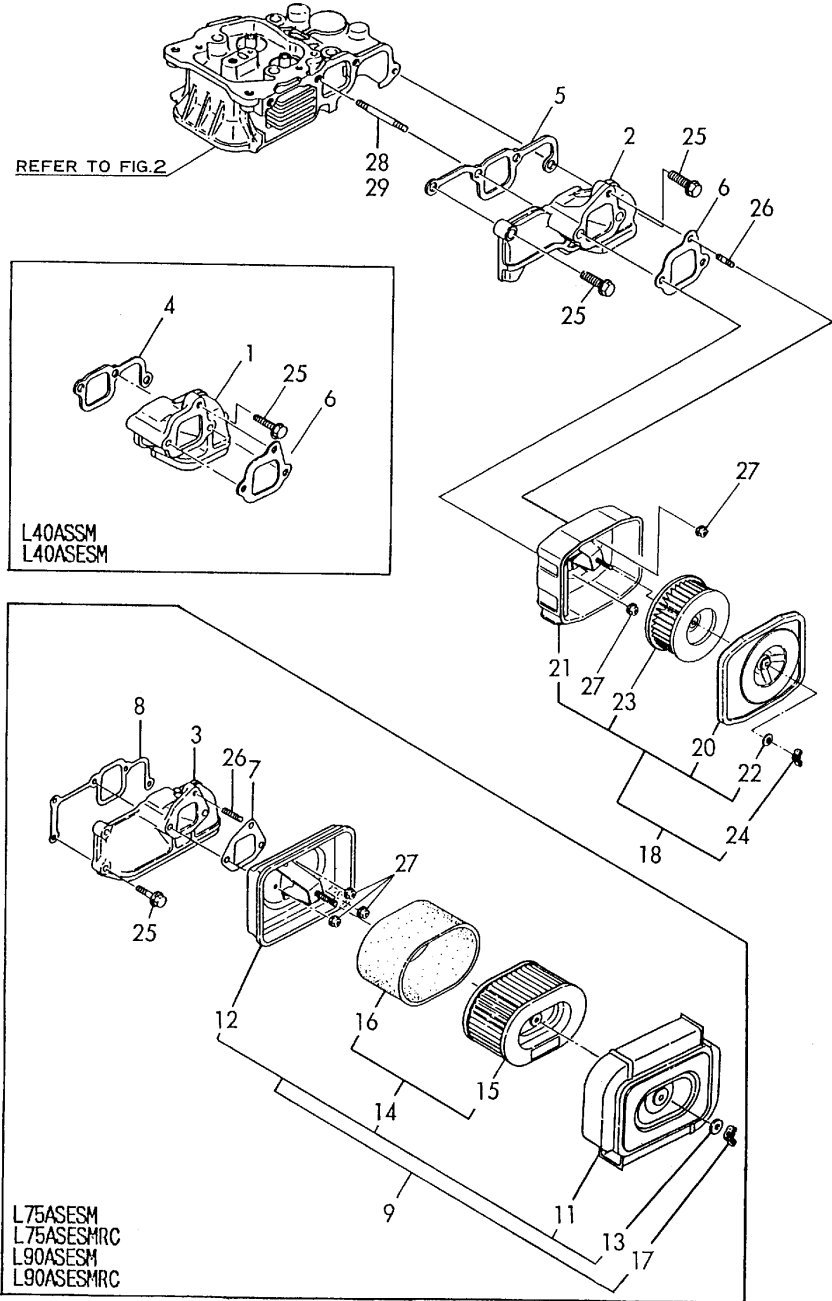


REF.	LEV.	PARTS NO.	DESCRIPTION	Q'TY						I	R
				(A)	(B)	(C)	(D)	(E)	(F)		
75	2	114250-03591	SHAFT ASSY, DECOMP.	1	1	1	1	1			
78	2	114250-03640	SPRING	1	1	1	1	1			
79	2	22312-030160	PARALLEL PIN 3X16	1	1	1	1	1			
83	1	26106-060552	BOLT M 6X 55 PLATED		2	2					
84	1	26106-060702	BOLT M 6X 70 PLATED				2	2			
85	1	105010-11490	CAP, VALVE		1	1					
86	1	119260-11370	CAP, VALVE	1							
87	1	104211-11370	CAP, VALVE				1	1			

Fig.3.AIR CLEANER

(A)=L40AS  
(B)=L50AS  
(C)=L60AS

(D)=L75AS  
(E)=L90AS  
(F)=

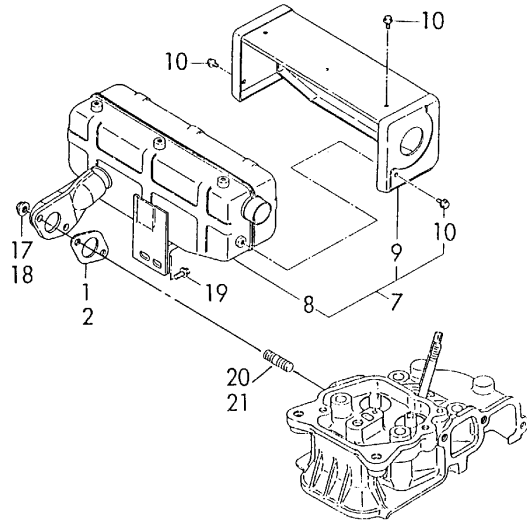
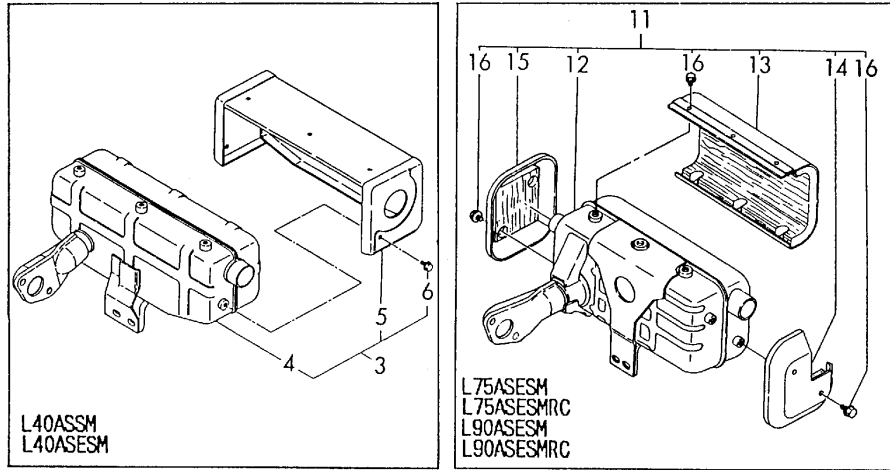


REF.	LEV.	PARTS NO.	DESCRIPTION	Q'TY						I	R
				(A)	(B)	(C)	(D)	(E)	(F)		
1	1	114250-12010	PIPE, AIR INTAKE	1							
2	1	114350-12011	PIPE, AIR INTAKE		1	1					
3	1	114650-12020	PIPE, AIR INTAKE				1	1			
4	1	114250-12200	GASKET, AIR INTAKE	1							
5	1	114350-12201	GASKET, AIR INTAKE		1	1					
6	1	114250-12210	GASKET, AIR CLEANER	1	1	1					
7	1	114650-12210	GASKET, AIR CLEANER						1	1	
8	1	114650-12300	GASKET, AIR INTAKE						1	1	
9	1	714650-12560	CLEANER ASSY, AIR						1	1	
11	3	114650-12520	COVER, AIR CLEANER						1	1	
12	3	114650-12530	CASE, AIR CLEANER						1	1	
13	3	114252-12560	WASHER, SEAL						1	1	
14	3	114650-12590	ELEMENT W/PRE-FILTER						1	1	
15	4	114650-12540	ELEMENT, WET AIR						1	1	
16	4	114650-12550	PRE-FILTER						1	1	
17	2	114252-12550	WING NUT M8						1	1	
18	1	714250-12560	CLEANER ASSY, AIR	1	1	1					
20	3	114250-12520	COVER, AIR CLEANER	1	1	1					
21	3	114250-12530	CASE, AIR CLEANER	1	1	1					
22	3	114250-12560	WASHER, SEAL	1	1	1					
23	3	114250-12580	ELEMENT, WET AIR	1	1	1					
24	2	114250-12550	WING NUT M6	1	1	1					
25	1	26106-060252	BOLT M 6X 25 PLATED	1	2	2	3	3			
26	1	26226-060142	STUD M 6X 14 PLATED	1	1	1	1	1			
27	1	26366-060002	NUT M 6	3	3	3	3	3			
28	1	26226-060552	STUD M 6X 55	2	2	2					
29	1	26226-060752	STUD M 6X 75						2	2	

Fig.4.MUFFLER

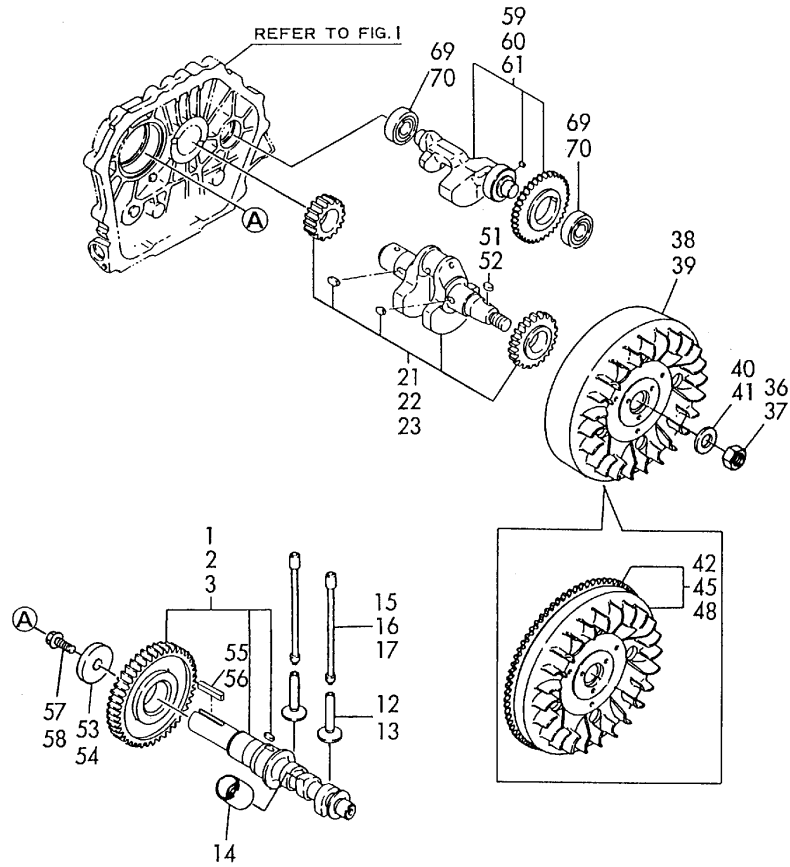
(A)=L40AS  
(B)=L50AS  
(C)=L60AS

(D)=L75AS  
(E)=L90AS  
(F)=



REF.	LEV.	PARTS NO.	DESCRIPTION	Q'TY						I	R
				(A)	(B)	(C)	(D)	(E)	(F)		
1	1	114250-13200	GASKET, MUFFLER	1	1	1					
2	1	114650-13200	GASKET, MUFFLER				1	1			
3	1	114260-13501	MUFFLER	1							
4	2	114260-13510	MUFFLER	1							
5	2	114260-13701	COVER, MUFFLER	1							
6	2	26106-060082	BOLT M6X 8 PLATED	5							
7	1	114360-13501	MUFFLER		1	1					
8	2	114360-13510	MUFFLER		1	1					
9	2	114260-13701	COVER, MUFFLER		1	1					
10	2	26106-060082	BOLT M6X 8 PLATED		5	5					
11	1	114674-13660	MUFFLER				1	1			
12	2	114674-13520	SILENCER				1	1			
13	2	183382-13700	COVER, MUFFLER				1	1			
14	2	114674-13710	COVER(B), MUFFLER				1	1			
15	2	114970-13710	COVER(B), MUFFLER				1	1			
16	2	160260-01580	BOLT 6X6				10	10			
17	1	26106-060122	BOLT M6X 12 PLATED	2	2	2					
18	1	26106-080162	BOLT M8X 16 PLATED				2	2			
19	1	26366-080002	NUT 8	2	2	2	2	2			
20	1	26216-080182	STUD M8X 18 PLATED	2	2	2					
21	1	26226-080202	STUD M8X 20 PLATED				2	2			

Fig.5.CAMSHAFT & CRANKSHAFT



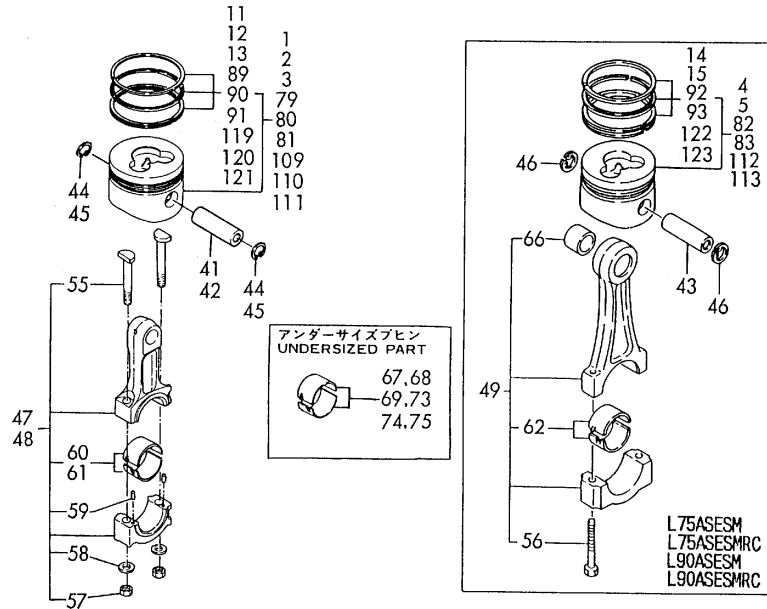
5.CAMSHAFT & CRANKSHAFT

(A)=L40AS  
(B)=L50AS  
(C)=L60AS

(D)=L75AS  
(E)=L90AS  
(F)=

REF.	LEV.	PARTS NO.	DESCRIPTION	Q'TY						I	R
				(A)	(B)	(C)	(D)	(E)	(F)		
1	1	714770-14580	CAMSHAFT(S) ASSY.	1							
2	1	714870-14580	CAMSHAFT(S) ASSY.		1	1					
3	1	714679-14580	CAMSHAFT(S) ASSY.				1	1			
12	1	114250-14200	TAPPET, SUC/EXH.	2	2	2					
13	1	114650-14200	TAPPET, SUC/EXH.				2	2			
14	1	114250-14260	TAPPET, FUEL	1	1	1	1	1			
15	1	114650-14401	ROD, PUSH					2	2		
16	1	114250-14450	ROD, PUSH	2							
17	1	114350-14450	ROD, PUSH		2	2					
21	1	714278-21710	CRANKSHAFT ASSY(S)	1							
22	1	714378-21710	CRANKSHAFT ASSY(S)		1	1					
23	1	714679-21710	CRANKSHAFT ASSY					1	1		
36	1	103854-01221	NUT M16	1	1	1					
37	1	122710-01220	NUT (M18)				1	1			
38	1	114770-21400	FLYWHEEL (S)	1							
39	1	114870-21400	FLYWHEEL (S)		1	1					
40	1	114250-21550	WASHER, FLYWHEEL	1	1	1					
41	1	114650-21551	WASHER, FLYWHEEL					1	1		
42	1	114651-21592	FLYWHEEL(SE), WGEAR					1	1		
45	1	114771-21590	FLYWHEEL(SE) WGEAR	1							
48	1	114871-21590	FLYWHEEL(SE) WGEAR		1	1					
51	1	22512-040120	KEY 4X 12	1	1	1					
52	1	22512-050140	KEY 5X 14					1	1		
53	1	160310-14550	WASHER	1	1	1					
54	1	145610-83880	RETAINER					1	1		
55	1	22512-050300	KEY 5X 30	1							
56	1	22512-070360	KEY 7X 36		1	1	1	1	1		
57	1	26106-080202	BOLT M8X 20 PLATED	1	1	1					
58	1	26106-100252	BOLT M10X 25 PLATED					1	1		
59	1	714770-28510	SHAFT ASSY, BALANCER	1							
60	1	714870-28510	SHAFT ASSY, BALANCER		1	1					
61	1	714970-28510	SHAFT ASSY, BALANCER					1	1		
69	1	24101-062024	BALL BEARING	2	2	2					
70	1	24101-062034	BALL BEARING					2	2		

Fig.6.PISTON & CONNECTING ROD



Remarks

- (1) UNDERSIZED(U.S=0.25) PART.
- (2) UNDERSIZED(U.S=0.50) PART.
- (3) OVERSIZED(O.S=0.25) PART.
- (4) OVERSIZED(O.S=0.50) PART.
- (M) MISPRINT.

6.PISTON & CONNECTING ROD

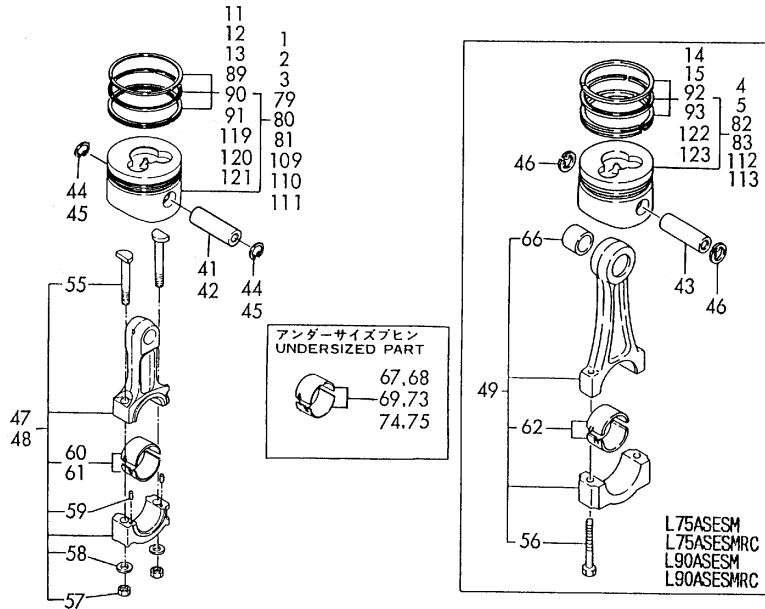
(A)=L40AS  
(B)=L50AS  
(C)=L60AS

(D)=L75AS  
(E)=L90AS  
(F)=

REF.	LEV.	PARTS NO.	DESCRIPTION	Q'TY						I	R
				(A)	(B)	(C)	(D)	(E)	(F)		
1	1	714270-22720	PISTON W/RINGS	1							
2	1	714470-22720	PISTON W/RINGS		1						
3	1	714370-22720	PISTON W/RINGS			1					
4	1	714550-22723	PISTON W/RINGS					1			
5	1	714650-22723	PISTON W/RINGS						1		
11	2	714250-22502	RING SET, PISTON	1							
12	2	714450-22501	RING SET, PISTON		1						
13	2	714350-22502	RING SET, PISTON			1					
14	2	714550-22502	RING SET, PISTON				1				
15	2	714650-22502	RING SET, PISTON						1		
41	1	114250-22302	PIN, PISTON D=19	1							
42	1	114350-22301	PIN, PISTON D=21		1	1					
43	1	114650-22300	PIN, PISTON				1	1			
44	1	22252-000190	CIRCLIP 19	2							
45	1	22252-000210	CIRCLIP 21		2	2					
46	1	129792-22400	CIRCLIP 23					2	2		
47	1	714250-23703	ROD ASSY, CONNECTING	1							
48	1	714350-23702	ROD ASSY(PIN21,B=25)		1	1					M
48-1	1	714350-23704	ROD ASSY(PIN21,B=28)		1	1					
49	1	714650-23700	ROD ASSY, CONNECTING				1	1			
55	3	114250-23200	BOLT, ROD	2	2	2					
56	3	104200-23201	BOLT, ROD					2	2		
57	3	114250-23220	NUT, ROD BOLT	2	2	2					
58	3	114250-23250	WASHER	2	2	2					
59	3	22312-030080	PARALLEL PIN 3X 8	2	2	2					
60	2	714250-23600	BEARING, CRANKPIN	1							
61	2	714350-23600	BEARING, CRANKPIN		1	1					
62	2	714650-23600	BEARING, CRANKPIN					1	1		
66	2	124060-23100	BUSH-, PISTON PIN					1	1		
67	1	714250-23610	BEARING U.S=0.25,PIN	1							1
68	1	714350-23610	BEARING,PIN(U.S=0.25		1	1					1
69	1	714650-23610	BEARING,PIN(U.S=0.25					1	1		1
73	1	714250-23620	BEARING U.S=0.50,PIN	1							2
74	1	714350-23620	BEARING,PIN(U.S=0.50		1	1					2
75	1	714650-23620	BEARING,PIN(U.S=0.50					1	1		2
79	1	714270-22620	PISTON W/RING(OS0.25	1							3
80	1	714470-22620	PISTON W/RING(OS0.25		1						3
81	1	714370-22620	PISTON W/RING(OS0.25			1					3
82	1	714550-22623	PISTON W/RING(OS0.25					1			3
83	1	714650-22623	PISTON W/RING(OS0.25						1		3
89	2	714250-22542	RING SET O.S=0.25	1							3
90	2	714450-22541	RING SET O.S=0.25		1						3
91	2	714350-22542	RING SET O.S=0.25				1				3
92	2	714550-22542	RING SET (O.S.0.25					1			3
93	2	714650-22542	RING SET O.S=0.25						1		3
109	1	714270-22580	PISTON W/RING(OS0.50	1							4
110	1	714470-22580	PISTON W/RING(OS0.50		1						4
111	1	714370-22580	PISTON W/RING(OS0.50			1					4
112	1	714550-22580	PISTON W/RING(OS0.50					1			4
113	1	714650-22580	PISTON W/RING(OS0.50						1		4
119	2	714250-22550	RING SET O.S=0.50	1							4



Fig.6.PISTON & CONNECTING ROD



6.PISTON & CONNECTING ROD

(A)=L40AS  
(B)=L50AS  
(C)=L60AS

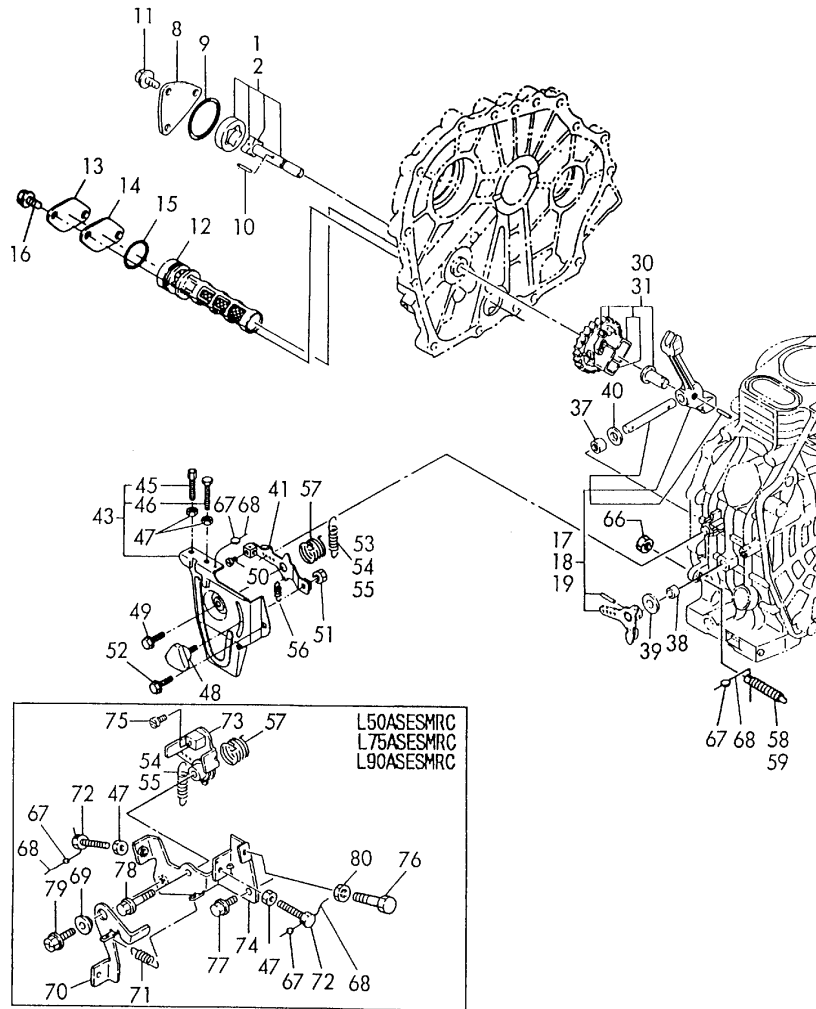
(D)=L75AS  
(E)=L90AS  
(F)=

REF.	LEV.	PARTS NO.	DESCRIPTION	Q'TY						I	R
				(A)	(B)	(C)	(D)	(E)	(F)		
120	2	714450-22550	RING SET (O.S.050		1						4
121	2	714350-22550	RING SET O.S=050			1					4
122	2	714550-22550	RING SET (O.S.050				1				4
123	2	714650-22550	RING SET O.S=050					1			4

Remarks

- (1) UNDERSIZED(U.S=0.25) PART.
- (2) UNDERSIZED(U.S=0.50) PART.
- (3) OVERSIZED(O.S=0.25) PART.
- (4) OVERSIZED(O.S=0.50) PART.
- (M) MISPRINT.

Fig.7.LUB. OIL PUMP & GOVERNOR



Remarks  
 (1) EXCLUSIVE FOR L50ASESMRC, L75A-  
 SESMRC & L90ASESMRC.

7.LUB. OIL PUMP & GOVERNOR

(A)=L40AS  
 (B)=L50AS  
 (C)=L60AS

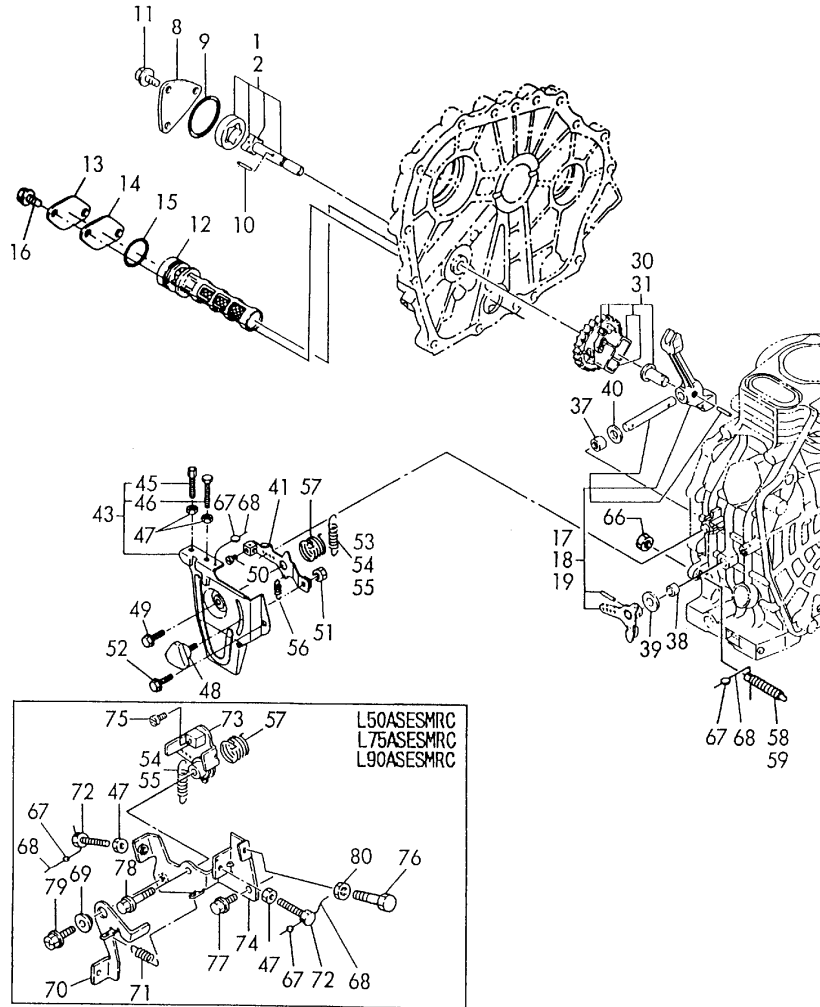
(D)=L75AS  
 (E)=L90AS  
 (F)=

REF.	LEV.	PARTS NO.	DESCRIPTION	Q'TY						I	R
				(A)	(B)	(C)	(D)	(E)	(F)		
1	1	114250-32010	PUMP ASSY, LUBOIL	1	1	1					
2	1	114650-32010	PUMP ASSY, LUBOIL					1	1		
8	1	114250-32070	COVER, LUB. OIL PUMP	1	1	1	1	1	1		
9	1	103338-32570	O-RING	1	1	1	1	1	1		
10	1	22312-030160	PARALLEL PIN 3X16	1	1	1	1	1	1		
11	1	26476-060142	BOLT M6X14	3	3	3	3	3	3		
12	1	114250-35060	STRAINER, LUB. OIL	1	1	1	1	1	1		
13	1	114250-35250	COVER	1	1	1	1	1	1		
14	1	114250-35270	GASKET, LO.STRAINER	1	1	1	1	1	1		
I	15	24341-000224	O-RING 1A S-224	1	1	1	1	1	1		
16	1	26106-060122	BOLT M6X12 PLATED	2	2	2	2	2	2		
17	1	714250-61500	LEVER ASSY, GOVERNOR	1							
18	1	714350-61500	LEVER ASSY, GOVERNOR		1	1					
19	1	714650-61500	LEVER ASSY, GOVERNOR					1	1		
30	1	714770-61700	GOVERNOR ASSY	1	1	1					
31	1	714970-61700	GOVERNOR ASSY					1	1		
37	1	121450-61520	NEEDLE BEARING FJ810	2	2	2	2	2	2		
38	1	114770-61600	SEAL, OIL	1	1	1	1	1	1		
39	1	114770-61610	WASHER	2	2	2	2	2	2		
I	40	22137-080000	WASHER 8, POLISHED	1	1	1	1	1	1		
41	1	114250-66050	HANDLE, REGULATOR	1	1	1	1	1	1		
43	1	114268-66500	BRACKET ASSY,REGULAT	1	1	1	1	1	1		
45	2	114250-66440	BOLT, ADJUSTING	1	1	1	1	1	1		
46	2	102100-67080	BOLT, ADJUSTING	1	1	1	1	1	1		
47	1	26757-060002	LOCK NUT M6 PLATED	2	2	2	2	2	2		
48	1	160725-78350	KNOB (WM6X15)	1	1	1	1	1	1		
49	1	26106-060202	BOLT M6X20 PLATED	1	1	1	1	1	1		
50	1	26117-040088	BOLT M4X 8 PLATED	1	1	1	1	1	1		
51	1	26347-060002	U-NUT M6	1	1	1	1	1	1		
52	1	26476-060142	BOLT M6X14	1	1	1	1	1	1		
53	1	114770-66010	SPRING, REGULATOR	1							
54	1	114870-66010	SPRING, REGULATOR		1	1					
55	1	114970-66010	SPRING, REGULATOR					1	1		
56	1	114250-66200	SPRING, RETURN	1	1	1	1	1	1		
57	1	114252-66252	SPRING, RETURN	1	1	1	1	1	1		
58	1	114250-66550	TORQUE SPRING ASSY	1	1	1					
59	1	114650-66500	TORQUE SPRING ASSY					1	1		
66	1	26696-100002	NUT M10	1	1	1	1	1	1		
67	1	135210-61090	LEAD	2	2	2	2	2	2		
68	1	22451-060000	WIRE 0.6	2	2	2	2	2	2		
69	1	114654-66140	PIECE		1		1	1	1		1
70	1	114650-66150	LEVER, STOP		1		1	1	1		1
71	1	114268-66200	SPRING, RETURN		1		1	1	1		1
72	1	114250-66440	BOLT, ADJUSTING		2		2	2	2		1
73	1	114652-66871	LEVER, REGULATOR		1		1	1	1		1
74	1	114652-66881	BLACKET,LEVER		1		1	1	1		1
75	1	105225-66990	SCREW		1		1	1	1		1
76	1	102100-67080	BOLT, ADJUSTING		1		1	1	1		1
77	1	26106-060122	BOLT M6X12 PLATED		1		1	1	1		1
78	1	26106-060302	BOLT M6X30 PLATED		1		1	1	1		1
79	1	26476-060202	BOLT M6X20		1		1	1	1		1

Fig.7.LUB. OIL PUMP & GOVERNOR

(A)=L40AS  
(B)=L50AS  
(C)=L60AS

(D)=L75AS  
(E)=L90AS  
(F)=



REF.	LEV.	PARTS NO.	DESCRIPTION	Q'TY						I	R	
				(A)	(B)	(C)	(D)	(E)	(F)			
80	1	26757-060002	LOCKNUTM6PLATED		1		1		1			1

Remarks

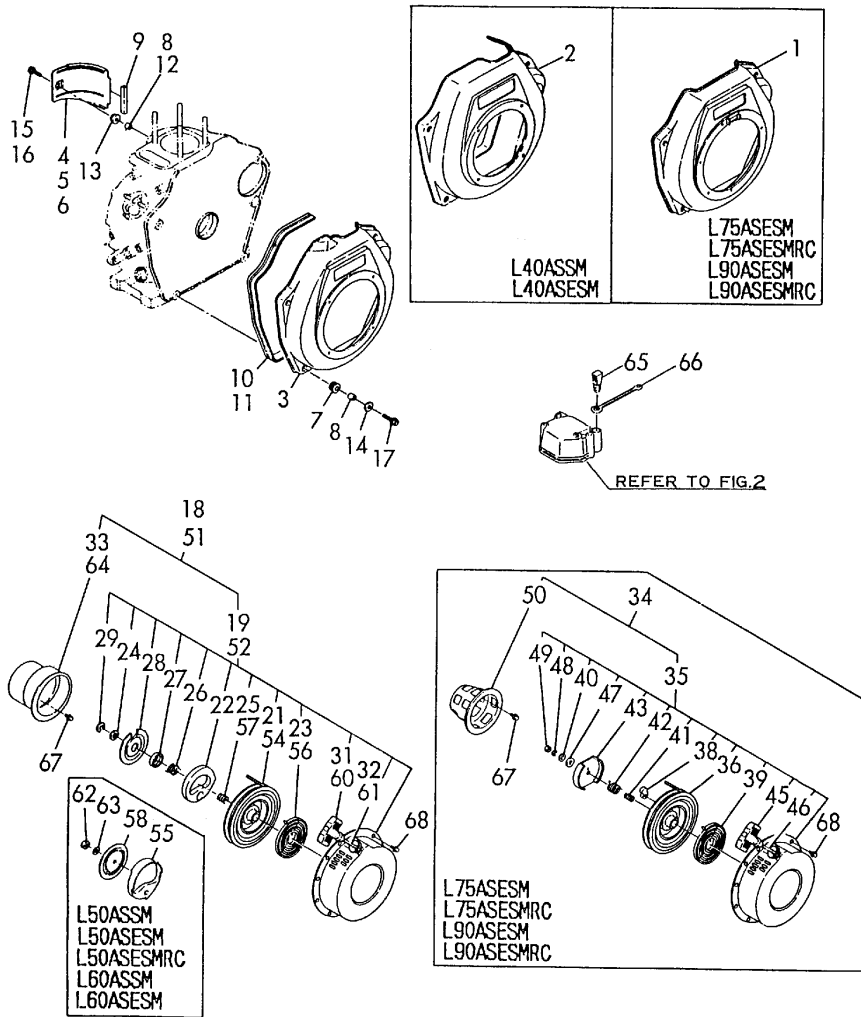
(1) EXCLUSIVE FOR L50ASESMRC, L75A-  
SESMRC & L90ASESMRC.

Fig.8.COOLING & STARTING DEVICE

8.COOLING & STARTING DEVICE

(A)=L40AS  
(B)=L50AS  
(C)=L60AS

(D)=L75AS  
(E)=L90AS  
(F)=



REF.	LEV.	PARTS NO.	DESCRIPTION	QTY						I	R
				(A)	(B)	(C)	(D)	(E)	(F)		
1	1	114658-45102	CASE(S), COOLING FAN				1	1			
2	1	114770-45100	CASE(S), COOLING FAN	1							
3	1	114870-45100	CASE(S), COOLING FAN		1	1					
4	1	114650-45200	COVER, CYLINDER				1	1			
5	1	114870-45200	COVER, CYLINDER		1	1					
6	1	114250-45211	COVER, CYLINDER	1							
7	1	114250-45300	RUBBER, CUSHION	4	5	5	4	4			
8	1	114250-45310	COLLAR	4	5	5	4	4			
9	1	114350-45320	RUBBER, SEAL		1	1	1	1			
10	1	114250-45330	SEAL, FAN CASE	1	1	1					
11	1	114650-45330	SEAL, FAN CASE				1	1			
12	1	114350-45340	COLLAR		1	1	1	1			
13	1	183720-55210	GROMMET		1	1	1	1			
14	1	160120-76940	WASHER	4	5	5	4	4			
15	1	26476-060142	BOLT M6X 14	1							
16	1	26476-060202	BOLT M6X 20		1	1	1	1			
17	1	26476-060252	BOLT M6X 25	4	5	5	4	4			
18	1	114250-76050	STARTER ASSY, RECOIL	1							
19	2	114250-76250	RE-COIL	1							
21	3	160260-76520	REEL, RECOIL	1							
22	3	160260-76530	RATCHET	1							
23	3	160260-76540	SPRING, SPIRAL	1							
24	3	160260-76550	WASHER, THRUST	1							
25	3	160260-76560	SPRING, FRICTION	1							
26	3	160260-76570	SPRING, RETURN	1							
27	3	160260-76580	COVER, SPRING	1							
28	3	160260-76590	PLATE, FRICTION	1							
29	3	160260-76600	CIRCLIP(E)	1							
31	3	160260-76620	KNOB, STARTER	1							
32	3	160260-76630	ROPE, STARTER	1							
33	2	114250-76590	PULLEY, STARTER	1							
34	1	114650-76050	STARTER ASSY, RECOIL				1	1			
35	2	114650-76250	CASE ASSY,(S) RECOIL				1	1			
36	3	114650-76520	REEL, RECOIL				1	1			
38	3	160910-76530	RATCHET				1	1			
39	3	114650-76540	SPRING, SPIRAL				1	1			
40	3	160910-76550	WASHER, THRUST				1	1			
41	3	160910-76560	SPRING, FRICTION				1	1			
42	3	160910-76570	SPRING, RETURN				1	1			
43	3	160910-76580	PLATE, FRICTION				1	1			
45	3	160910-76620	KNOB, STARTER				1	1			
46	3	114650-76630	ROPE, RECOIL STARTER				1	1			
47	3	160910-76650	WASHER (B)				1	1			
48	3	22217-060000	SPRING WASHER 6				1	1			
49	3	26717-060002	NUT M6				1	1			
50	2	114660-76590	PULLEY, STARTER				1	1			
51	1	114870-76050	STARTER ASSY, RECOIL		1	1					
52	2	114870-76250	RECOIL ASSY		1	1					
54	3	160810-76520	REEL, RECOIL		1	1					
55	3	160810-76530	RATCHET		1	1					
56	3	160810-76540	SPRING, SPIRAL		1	1					

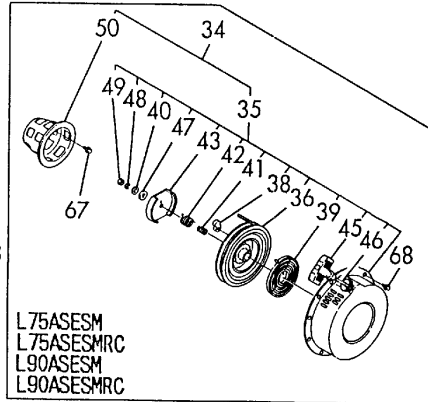
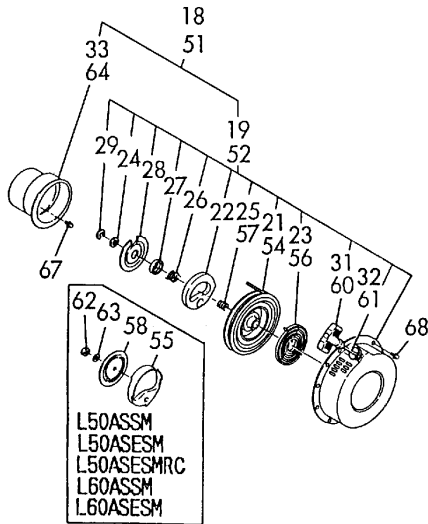
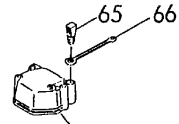
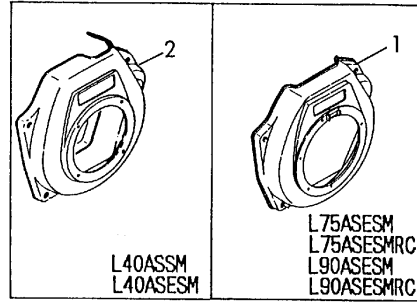
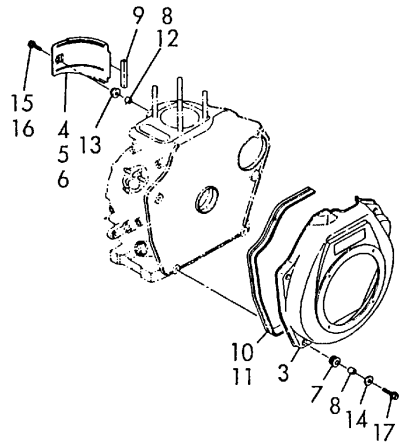
N:Old  $\begin{matrix} \text{Yes} \\ \text{No} \end{matrix}$  New, Q:Old  $\begin{matrix} \text{No} \\ \text{Yes} \end{matrix}$  New, R:Old  $\begin{matrix} \text{Yes} \\ \text{No} \end{matrix}$  New, S:Old  $\begin{matrix} \text{No} \\ \text{Yes} \end{matrix}$  New, W:Add, Z:Discontinued, F:Interchangeable by set, K:Q'ty Change  
++ CONTINUE ++  
(C) Copy Rights YANMAR CO.,LTD.

Fig.8.COOLING & STARTING DEVICE

8.COOLING & STARTING DEVICE

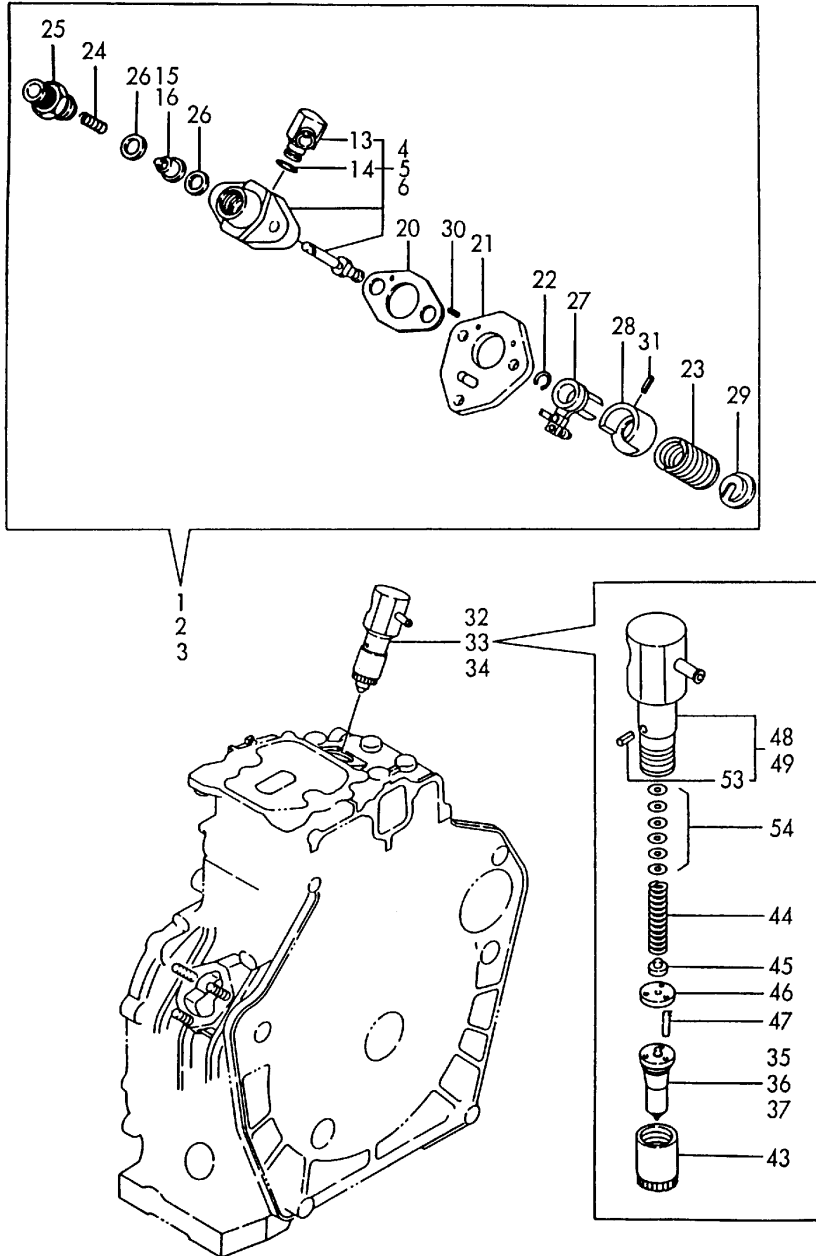
(A)=L40AS  
(B)=L50AS  
(C)=L60AS

(D)=L75AS  
(E)=L90AS  
(F)=



REF.	LEV.	PARTS NO.	DESCRIPTION	Q'TY						I	R
				(A)	(B)	(C)	(D)	(E)	(F)		
57	3	160810-76560	SPRING, FRICTION		1	1					
58	3	160810-76580	PLATE, FRICTION		1	1					
60	3	160810-76620	KNOB, STARTER		1	1					
61	3	160810-76630	ROPE, STARTER		1	1					
62	3	181130-76680	NUT		1	1					
63	3	181130-76700	WASHER		1	1					
64	2	114350-76690	PULLEY, STARTER			1	1				
65	1	114250-76600	PLUNGER	1	1	1					
66	1	114250-76610	HOLDER, PLUNGER	1	1	1					
67	1	26106-060082	BOLT M6X 8 PLATED	4	4	4	4	4			
68	1	26106-060122	BOLT M6X 12 PLATED	3	3	3	4	4			

Fig.9.FUEL INJECTION DEVICE



9.FUEL INJECTION DEVICE

(A)=L40AS  
(B)=L50AS  
(C)=L60AS

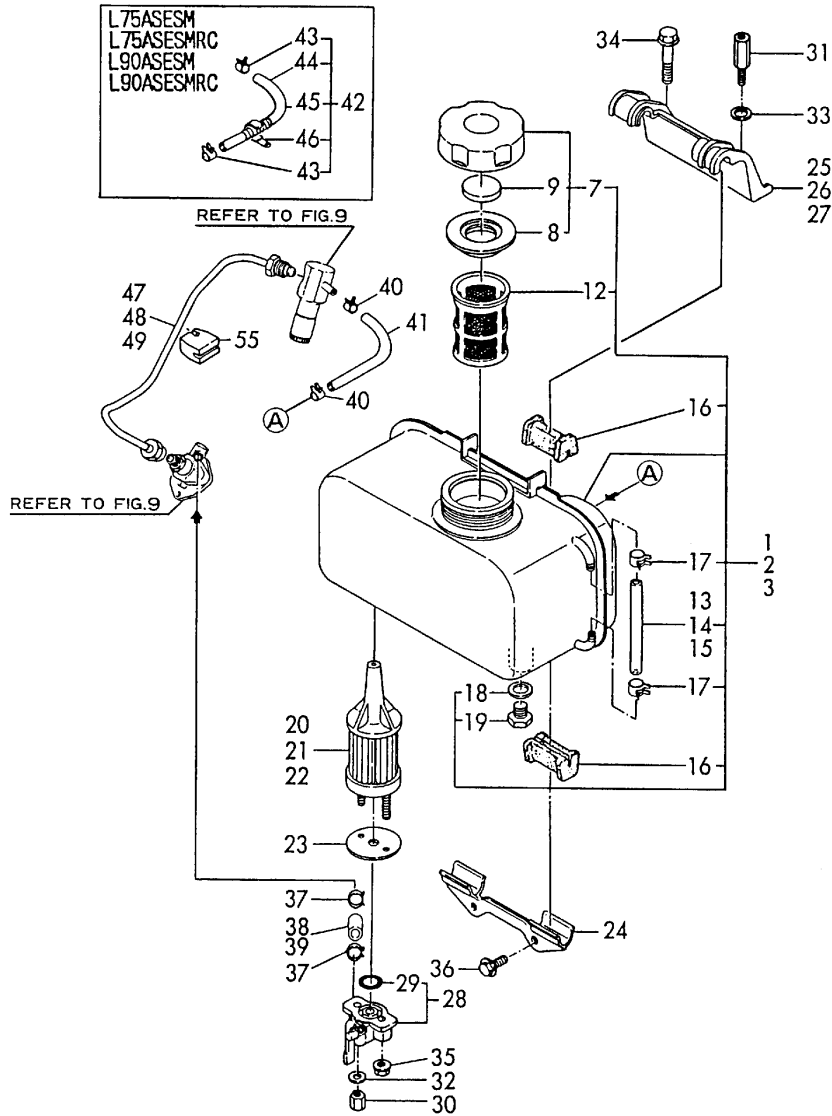
(D)=L75AS  
(E)=L90AS  
(F)=

REF.	LEV.	PARTS NO.	DESCRIPTION	Q'TY						I	R
				(A)	(B)	(C)	(D)	(E)	(F)		
1	1	714250-51710	PUMP ASSY, F.INJECT.	1							
2	1	714350-51701	PUMP ASSY, F.INJECT.		1	1					
3	1	714650-51700	PUMP ASSY, F.INJECT.				1	1			
4	2	114250-51200	BODY, FUEL PUMP	1							
5	2	114350-51200	BODY, FUEL PUMP		1	1					
6	2	114650-51100	BODY, FUEL PUMP					1	1		
13	3	114250-51180	JOINT	1	1	1	1	1	1		
14	3	114250-51190	O-RING	1	1	1	1	1	1		
15	2	114250-51300	VALVE ASSY, DELIVERY	1	1	1					
16	2	114650-51300	VALVE ASSY, DELIVERY					1	1		
20	2	105546-51020	GASKET	1	1	1	1	1	1		
21	2	114250-51080	PLATE	1	1	1	1	1	1		
22	2	114250-51150	SNAP RING	1	1	1	1	1	1		
23	2	114250-51160	SPRING	1	1	1	1	1	1		
24	2	105546-51330	SPRING, DELIV. VALVE	1	1	1	1	1	1		
25	2	114250-51340	HOLDER, F.I.P.DELIVE	1	1	1	1	1	1		
26	2	124550-51350	GASKET, DELIVERY	2	2	2	2	2	2		
27	2	114250-51600	LEVER ASSY, CONTROL	1	1	1	1	1	1		
28	2	114250-51640	SEAT (A), SPRING	1	1	1	1	1	1		
29	2	114250-51650	SEAT (B), SPRING	1	1	1	1	1	1		
30	2	22351-020006	SPRING PIN 2X 6	2	2	2	2	2	2		
31	2	22351-030008	SPRING PIN 3X 8	1	1	1	1	1	1		
32	1	714250-53101	VALVE ASSY, F.INJECT	1							
33	1	714870-53100	VALVE ASSY, F.INJECT		1	1					
34	1	714650-53100	VALVE ASSY, F.INJECT					1	1		
35	2	114250-53001	NOZZLE ASSY, F.INJECT	1							
36	2	114870-53000	NOZZLE ASSY, F.INJECT		1	1					
37	2	114650-53000	NOZZLE ASSY, F.INJECT					1	1		
43	2	114250-53080	NUT, NOZZLE CASE	1	1	1	1	1	1		
44	2	114250-53120	SPRING, NOZZLE	1	1	1	1	1	1		
45	2	114250-53130	SPRING, SEAT	1	1	1	1	1	1		
46	2	114250-53140	PLATE, STOP	1	1	1	1	1	1		
47	2	114250-53210	PIN	2	2	2	2	2	2		
48	2	114250-53300	HOLDER ASSY, NOZZLE	1	1	1					
49	2	114650-53300	HOLDER ASSY, NOZZLE					1	1		
53	3	114250-53331	PIN, SPRING	1	1	1	1	1	1		
54	2	114250-53400	SHIM PACK	1	1	1	1	1	1		

Fig.10.FUEL TANK & FUEL LINE

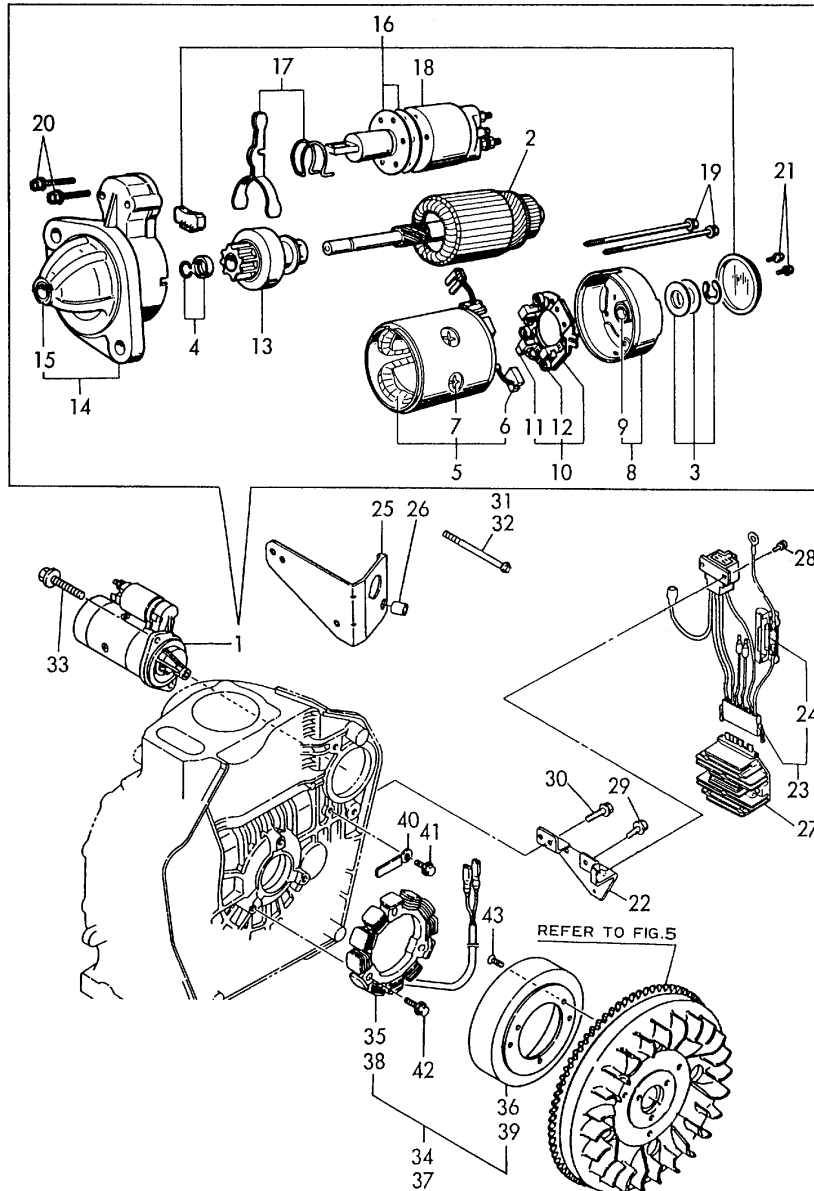
(A)=L40AS  
(B)=L50AS  
(C)=L60AS

(D)=L75AS  
(E)=L90AS  
(F)=



REF.	LEV.	PARTS NO.	DESCRIPTION	Q'TY						I	R
				(A)	(B)	(C)	(D)	(E)	(F)		
1	1	714250-55701	TANK ASSY, FUEL	1							
2	1	714350-55701	TANK ASSY, FUEL		1	1					
3	1	714650-55701	TANK ASSY, FUEL				1	1			
7	2	114250-55041	CAP, TANK	1	1	1	1	1			
8	3	114250-55050	GASCET, TANK CAP	1	1	1	1	1			
9	3	114250-55060	SEAL	1	1	1	1	1			
12	2	114250-55100	FILTER, FUEL	1	1	1	1	1			
13	2	114250-55150	PIPE, GAUGE	1							
14	2	114350-55150	PIPE, GAUGE		1	1					
15	2	114650-55150	PIPE, GAUGE					1	1		
16	2	114250-55201	DAMPER, FUEL TANK	4	4	4	4	4			
17	2	124722-59050	CLAMP 9	2	2	2	2	2			
18	2	23414-120000	GASKET 12, ROUND	1	1	1	1	1			
19	2	23887-120002	PLUG 12-HEX	1	1	1	1	1			
20	1	114250-55120	FILTER, FUEL OIL	1							
21	1	114350-55120	FILTER, FUEL OIL		1	1					
22	1	114650-55120	FILTER, FUEL OIL					1	1		
23	1	114250-55130	GASKET	1	1	1					
24	1	114250-55211	STAY (A)	1	1	1	1	1			
25	1	114250-55231	STAY (B)	1							
26	1	114350-55231	STAY (B)		1	1					
27	1	114650-55230	STAY (B)					1	1		
28	1	114250-55300	COCK ASSY, FUEL	1	1	1	1	1			
29	2	24341-000150	O-RING 1A S-15.0	1	1	1	1	1			
30	1	114252-55800	NUT	1	1	1	1	1			
31	1	114650-55810	BOLT, LIFTING	1	1	1	1	1			
32	1	22117-060000	WASHER 6	1	1	1	1	1			
33	1	22117-080000	WASHER 8	1	1	1	1	1			
34	1	26106-080452	BOLT M 8X 45 PLATED	1	1	1	1	1			
35	1	26366-060002	NUT M 6	1	1	1	1	1			
36	1	26476-060142	BOLT M 6X 14	2	2	2	2	2			
37	1	106990-44660	BAND, HOSE	2	2	2	2	2			
38	1	114250-59050	PIPE, FUEL OIL	1				1	1		
39	1	114360-59060	PIPE, FUEL OIL		1	1					
40	1	124722-59050	CLAMP 9	2	2	2					
41	1	114250-59060	PIPE, FUEL RETURN	1	1	1					
42	1	114652-59300	PIPE, FUEL RETURN					1	1		
43	2	124722-59050	CLAMP 9					2	2		
44	2	114250-59060	PIPE, FUEL RETURN					1	1		
45	2	114652-59310	TUBE					1	1		
46	2	121750-59890	RETAINER					1	1		
47	1	114250-59800	PIPE, FUEL INJECTION	1							
48	1	114350-59800	PIPE, FUEL INJECTION		1	1					
49	1	114650-59800	PIPE, FUEL INJECTION					1	1		
55	1	114650-59850	BRACKET, PIPE					1	1		

Fig.11.STARTING MOTOR & DYNAMO



Remarks

(1) EXCLUSIVE FOR L50ASESMRC, L75A-SESMRC & L90ASESMRC.

11.STARTING MOTOR & DYNAMO

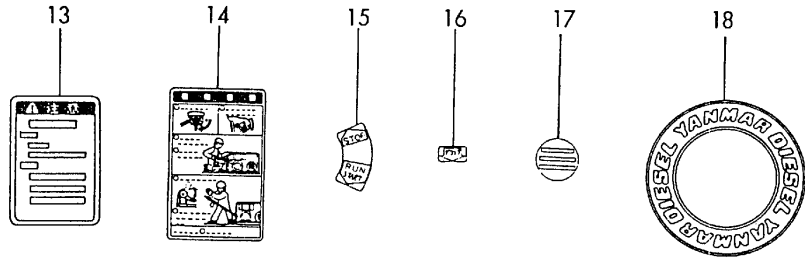
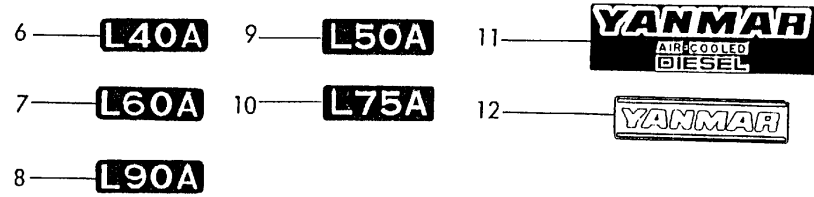
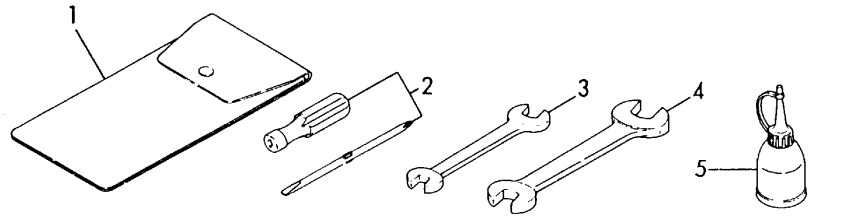
(A)=L40AS  
(B)=L50AS  
(C)=L60AS

(D)=L75AS  
(E)=L90AS  
(F)=

REF.	LEV.	PARTS NO.	DESCRIPTION	Q'TY						I	R
				(A)	(B)	(C)	(D)	(E)	(F)		
1	1	114351-77010	STARTER (S114-413A	1	1	1	1	1			
2	2	X211461008	ARMATURE	1	1	1	1	1			
3	2	X21148110	WASHER SET, THRUST	1	1	1	1	1			
4	2	X21147155	STOPPER SET, PINION	1	1	1	1	1			
5	2	X211412105	COIL ASSY, FIELD	1	1	1	1	1			
6	3	X21145312	BRUSH (+)	2	2	2	2	2			
7	3	X21143215	SCREW, CORE	4	4	4	4	4			
8	2	X211473002	COVER, REAR	1	1	1	1	1			
9	3	X21145352	METAL	1	1	1	1	1			
10	2	X211489001	HOLDER ASSY, BRUSH	1	1	1	1	1			
11	3	X21148313	BRUSH (-)	1	1	1	1	1			
12	3	X21149314	SPRING, BRUSH	3	3	3	3	3			
13	2	X211445504	PINION ASSY	1	1	1	1	1			
14	2	X211416603	HOUSING ASSY, GEAR	1	1	1	1	1			
15	3	X21145352	METAL	1	1	1	1	1			
16	2	X211478006	COVER KIT, DUST	1	1	1	1	1			
17	2	X211456013	LEVER KIT, SHIFT	1	1	1	1	1			
18	2	X211427501	SWITCH, MAGNETIC	1	1	1	1	1			
19	2	X211468005	BOLT, THROUGH	2	2	2	2	2			
20	2	X21145867	BOLT 6	2	2	2	2	2			
21	2	X21142835	SCREW SET	1	1	1	1	1			
22	1	114385-77400	BRACKET	1	1	1	1	1			
23	1	114351-77540	HARNES, WIRE	1	1	1	1	1			
24	2	29411-150000	FUSE (15A),CARTRIDGE	2	2	2	2	2			
25	1	114351-77620	BRACKET, ST.SWITCH	1	1	1	1	1			
26	1	114351-77630	WASHER	2	2	2	2	2			
27	1	119660-77710	CURRENT LIMITER	1	1	1	1	1			
28	1	26023-040102	SCREW M 4X 10	2	2	2	2	2			
29	1	26106-060122	BOLT M 6X 12 PLATED	2	2	2	2	2			
30	1	26106-060202	BOLT M 6X 20 PLATED	2	2	2	2	2			
31	1	26106-060702	BOLT M 6X 70 PLATED	2	2	2					
32	1	26106-060852	BOLT M 6X 85 PLATED					2	2		
33	1	26106-100302	BOLT M 10X 30 PLATED	2	2	2	2	2			
34	1	114351-78260	DYNAMO ASSY (12V/3A)	1	1	1	1	1			
35	2	114351-78770	STATOR ASSY,(132.1MM	1	1	1	1	1			
36	2	114351-78780	WHEEL,(STATOR132.1MM	1	1	1	1	1			
37	1	114351-78290	DYNAMO ASSY (12V/15A				1	1	1	1	
38	2	114351-78830	STATOR ASSY,(132.1MM				1	1	1	1	
39	2	114351-78840	WHEEL,(STATOR132.1MM				1	1	1	1	
40	1	160710-78710	CLAMP, CORD	1	1	1	1	1			
41	1	26476-060142	BOLT M 6X 14	1	1	1	1	1			
42	1	26476-060202	BOLT M 6X 20	3	3	3	3	3			
43	1	26577-060142	SCREW M 6X 14	3	3	3	3	3			



Fig.12.LABEL & TOOL



(A)=L40AS  
(B)=L50AS  
(C)=L60AS  
(D)=L75AS  
(E)=L90AS  
(F)=

REF.	LEV.	PARTS NO.	DESCRIPTION	Q'TY						I	R
				(A)	(B)	(C)	(D)	(E)	(F)		
1	1	114250-92600	BAG, TOOL	1	1	1	1	1			
2	1	160330-92730	SCREWDRIVER	1	1	1	1	1			
3	1	28110-100120	WRENCH 10X12	1	1	1	1	1			
4	1	28110-140170	WRENCH 14X17	1	1	1	1	1			
5	1	28210-000150	FEEDER, OIL	1	1	1	1	1			
I	6	114270-07050	LABEL(L40A)	1							
I	7	114370-07050	LABEL(L60A)						1		
I	8	114670-07050	LABEL(L75A)							1	
I	9	114470-07050	LABEL		1						
I	10	114570-07050	LABEL							1	
	11	114250-07090	LABEL, AIR COOLED	1	1	1	1	1	1		
	12	114250-07110	LABEL, YANMAR	1	1	1	1	1	1		
	13	114250-07240	LABEL	1	1	1	1	1	1		
	14	114250-07250	LABEL, HOW TO START	1	1	1	1	1	1		
	15	114250-07260	LABEL, OPERATION	1	1	1	1	1	1		
	16	114250-07270	LABEL, DECOMP.	1	1	1	1	1	1		
	17	114250-07300	LABEL	1	1	1	1	1	1		
	18	114250-07350	LABEL, YANMAR DIESEL	1	1	1	1	1	1		